

DC signal isolator/ transmitter

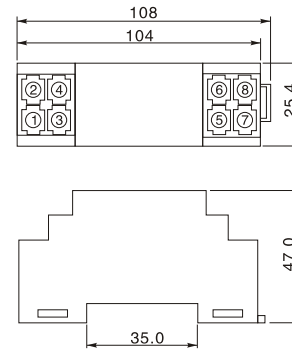
Multi-function transmitter, the input voltage range is -2000V~2000V, the input current range is -10A~10A, can be used for standard signals such as 4-20mA, 0-10V, 0-5V, 0-75mV can also be used for non-standard signals such as 20-4mA, 10-0V, -10V~10V and so on. 24V power supply, input, output, power supply, three ports are fully isolated, the industrial site DC voltage signal isolation, into standard current, voltage signals. DIN rail independent mounting.

Feature:

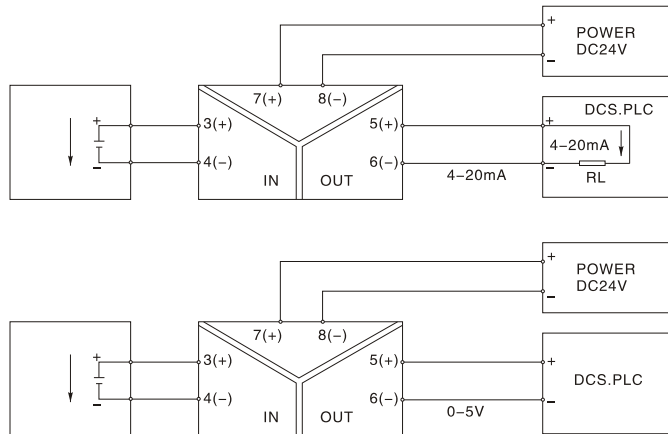
- Accuracy up to 0.1%
- Response speed 10MS
- Stable performance, low temperature drift
- High integration
- Three-end anti-interference, strong reliability
- Complete channels and customizable parameters
- Support high current, high voltage
- 35mm DIN rail mounting

Product performance:

- Input signal :0-75mV, 0-5V, 0-10V
- Input impedance: Input voltage :≥300KΩ; Input current ≤75Ω
- Output signal: 4-20mA, 0-20mA, 0-5V, 0-10V
- Output load resistance: RL≤650Ω (when output is current signal)
- Power supply: DC12-32V
- Consumption current :≤30mA (24V power supply, 20mA output)
- Basic accuracy: 0.1%F.S
- Temperature drift: 0.005%F.S/°C (-20°C~+55°C)
- Response time :≤10mS (0-90%) (TYP can be customized)
- Insulation resistance :≥100mΩ (between input, output and power supply)
- Operating temperature range: -20°C~+55°C
- Electromagnetic compatibility: according to GB/T18268.1 (IEC61326-1)



Terminal	Terminal definition		
	8	Power	Power -
7	Power +		
6	Output -	Output -	
5	Output +	Output +	
4	Input -	Input -	
3	Input +	Input +	
2		/	
1		/	



Note: When the reverse signal is input 4 (+), 3 (-)
 Only the current output has reverse protection (no damage but not done), current and voltage limiting protection.
 Other output signals are reversed resulting in transmitter damage

Working principle

DC24V or AC24V supply. The input end uses high-precision resistance for signal sampling, and passes through high-frequency transformer for electromagnetic isolation. The isolation between input, output and power supply has the characteristics of high precision, high linearity and low temperature bleaching.

Part No.		Note	
HBV	A	O	Single input single output
Input signal	A1		0-10mA
	A2		0-20mA
	A3		4-20mA
	A4		0-5V
	A5		0-10V
	A6		± 10mA
	A7		± 5V
	A8		± 10V
	A9		0-24V
	A10		0-48V
	A11		0-100V
	A12		0-1000 V
	A13		0-2000V
	A14		custom
Output signal		O1	4-20mA
		O2	0-20mA
		O3	0-10mA
		O4	0-5V
		O5	0-10V
		O6	1-5V
		O7	± 5V
		O8	± 10V
		O9	custom
Power supply			DC12V
			DC24V

Selection example: 0-10mA input, 4-20mA output, Power supply DC12V
 Part No. :HBV-A1-O1-DC12V